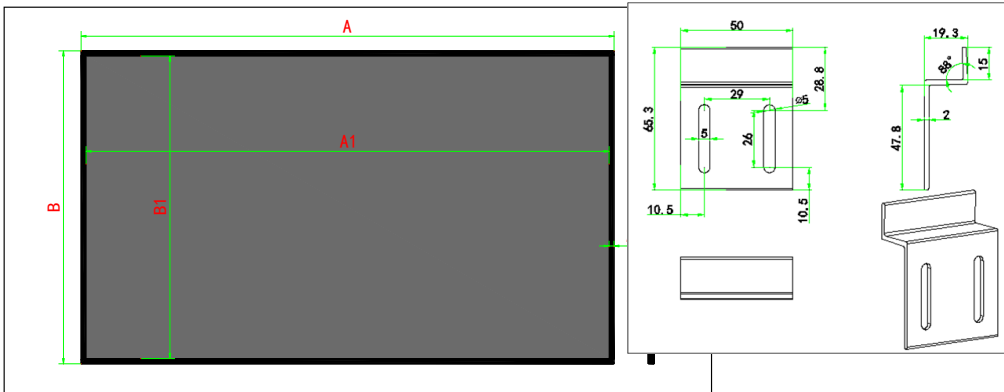


Unit: mm											Packing / Dimension				
Model no	Screen material	Screen Diagonal	Aspect Ratio	Overall Width (A)	View Width (A1)	Frame width (A2)	Frame depth (A3)	Overall Height (B)	View Height (B1)	Center Support Bar Length	N.W (KGS)	G.W (KGS)	L (mm)	W (mm)	H (mm)
AR100H4-CLR5	CLR® 5	100	16.9	2235	2215	10	33	1266	1246	1086	12.90	16.30	1510	340	175
AR120H4-CLR5	CLR® 5	120	16.9	2678	2658	10	33	1515	1495	1335					
AR128H4-CLR5	CLR® 5	128	16.9	2855	2835	10	33	1615	1595	1435	15.70	19.70	1835	375	175
AR135H4-CLR5	CLR® 5	135	16.9	3010	2990	10	33	1702	1682	1522	17.60	21.70	1925	345	175
AR138H4-CLR5	CLR® 5	138	16.9	3076	3056	10	33	1740	1720	1560	18.00	22.20	1985	335	180
AR140H4-CLR5	CLR® 5	140	16.9	3120	3100	10	33	1765	1745	1585	16.90	20.80	1992	380	170
AR150H4-CLR5	CLR® 5	150	16.9	3342	3322	10	33	1889	1869	1709	19.50	23.40	2115	375	175
AR152H4-CLR5	CLR® 5	152	16.9	3386	3366	10	33	1914	1894	1734	18.40	23.10	2115	375	175

Unit: inch											Packing / Dimension				
Model no	Screen material	Screen Diagonal	Aspect Ratio	Overall Width (A)	View Width (A1)	Frame width (A2)	Frame depth (A3)	Overall Height (B)	View Height (B1)	Center Support Bar Length	N.W. (LBS)	G.W. (LBS)	L (inch)	W (inch)	H (inch)
AR100H4-CLR5	CLR® 5	100	16.9	88.0	87.2	0.4	1.3	49.8	49.1	42.8	28.44	35.94	59.45	13.39	6.89
AR120H4-CLR5	CLR® 5	120	16.9	105.4	104.6	0.4	1.3	59.6	58.9	52.6	0.00	0.00	0.00	0.00	0.00
AR128H4-CLR5	CLR® 5	128	16.9	112.4	111.6	0.4	1.3	63.6	62.8	56.5	34.61	43.43	72.24	14.76	6.89
AR135H4-CLR5	CLR® 5	135	16.9	118.5	117.7	0.4	1.3	67.0	66.2	59.9	38.80	47.84	75.79	13.58	6.89
AR138H4-CLR5	CLR® 5	138	16.9	121.1	120.3	0.4	1.3	68.5	67.7	61.4	39.68	48.94	78.15	13.19	7.09
AR140H4-CLR5	CLR® 5	140	16.9	122.8	122.0	0.4	1.3	69.5	68.7	62.4	37.26	45.86	78.43	14.96	6.69
AR150H4-CLR5	CLR® 5	150	16.9	131.6	130.8	0.4	1.3	74.4	73.6	67.3	42.99	51.59	83.27	14.76	6.89
AR152H4-CLR5	CLR® 5	152	16.9	133.3	132.5	0.4	1.3	75.4	74.6	68.3	40.57	50.93	83.27	14.76	6.89

Note: Data Error ±1"





**Elite Screens - Line drawing and dimension table**  
**Aeon 5 FALR2 Series(AR5)**  
**V11112025AW**

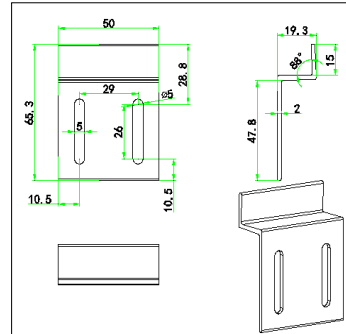
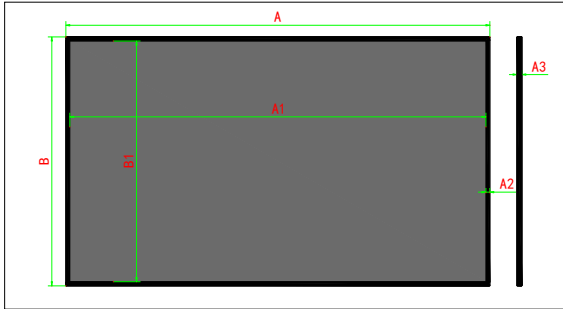


Unit: mm												Packing / Dimension				
Model no	Screen material	Screen Diagonal	Aspect Ratio	Overall frame width (A)	View Width (A1)	Frame width (A2)	Frame depth (A3)	Overall frame height (B)	View Height (B1)	Support bar length (20*20 aluminum profile)	Support bar length (10*20 stainless steel)	N.W (KGS)	G.W (KGS)	L (mm)	W (mm)	H (mm)
AR100H5-FALR2	FALR2	100	16:9	2241	2215	13	34.5	1272	1246	1169	1136	16.00	21.00	1580	320	330
AR120H5-FALR2	FALR2	120	16:9	2684	2658	13	34.5	1521	1495	1418	1385	21.30	24.90	1830	320	330

Unit: inch												Packing / Dimension				
Model no	Screen material	Screen Diagonal	Aspect Ratio	Overall frame width (A)	View Width (A1)	Frame width (A2)	Frame depth (A3)	Overall frame height (B)	View Height (B1)	Support bar length (20*20 aluminum profile)	Support bar length (10*20 stainless steel)	N.W. (LBS)	G.W. (LBS)	L (inch)	W (inch)	H (inch)
AR100H5-FALR2	FALR2	100	16:9	88.2	87.2	0.5	1.4	50.1	49.1	46.0	44.7	35.27	46.30	62.20	12.60	12.99
AR120H5-FALR2	FALR2	120	16:9	105.7	104.6	0.5	1.4	59.9	58.9	55.8	54.5	46.96	54.90	72.05	12.60	12.99

Note : Data Error be ±1"



**Elite Screens - Line drawing and dimension table**

**Aeon FALR5 Series**

**V11082022AZ**

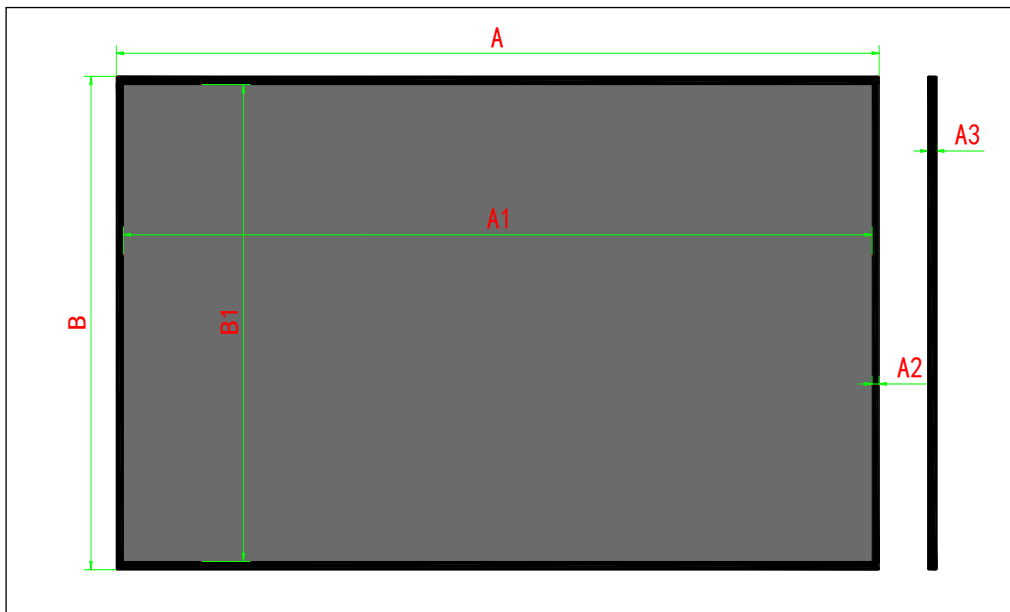
Unit: mm

Model no	Screen material	Screen Diagonal	Aspect Ratio	Screen Width (A)	View Width (A1)	Bezel trim width (A2)	Screen thickness (A3)	Screen Height (B)	View Height (B1)	Support bar length
AR100H2-FALR5	FALR5	100	16:9	2244	2214	15	25	1275	1245	1138
AR120H2-FALR5	FALR5	120	16:9	2687	2657	15	25	1524	1494	1387

Unit: inch

Model no	Screen material	Screen Diagonal	Aspect Ratio	Screen Width (A)	View Width (A1)	Bezel trim width (A2)	Screen thickness (A3)	Screen Height (B)	View Height (B1)	Support bar length
AR100H2-FALR5	FALR5	100	16:9	88,3	87,2	0,6	1,0	50,2	49,0	44,8
AR120H2-FALR5	FALR5	120	16:9	105,8	104,6	0,6	1,0	60,0	58,8	54,6

Note : Data Error be ±1"



Elite Screens - Line drawing and dimension table  
 Aeon fixed frame series (AR4)  
 V10252023AY

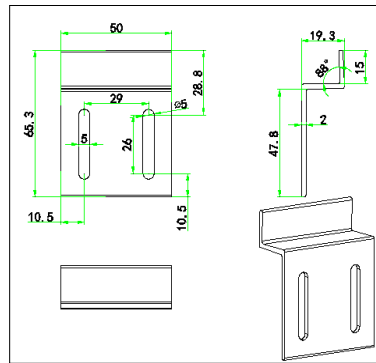
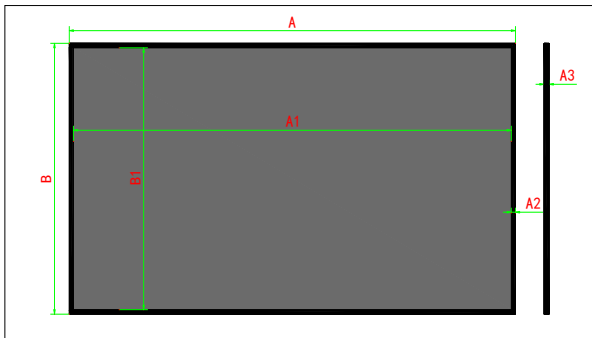
Unit: mm

Model	Screen Diagonal	Aspect Ratio	(A) Overall frame width (A)	(A1) View width (A1)	(A2) Frame width (A2)	(A3) Frame depth (A3)	(B) Overall frame height (B)	(B1) View height (B1)	Support bar length	Screen material	Packing Dimensions			KGS.	
											L	W	H	Net Weight	Gross Weight
AR100H-CLR3	100	16:9	2235	2215	10	28	1266	1246	1086	CLR3/CLR4	1508	315	170	13,45	16,50
AR110H-CLR3	110	16:9	2456	2436	10	28	1391	1371	1211	CLR3/CLR4	1615	318	170	14,75	17,80
AR120H-CLR3	120	16:9	2678	2658	10	28	1515	1495	1335	CLR3/CLR4	1740	315	175	19,35	16,05
AR100H-ATD4	100	16:9	2235	2215	10	28	1266	1246	1086	CineGrey 4DAT	1610	300	170	13,84	16,92
AR110H-ATD4	110	16:9	2456	2436	10	28	1391	1371	1211	CineGrey 4DAT	1610	300	170	13,84	16,92
AR120H-ATD4	120	16:9	2678	2658	10	28	1515	1495	1335	CineGrey 4DAT	1610	300	170	13,84	16,92
AR125H-ATD4	125	16:9	2788	2768	10	28	1578	1558	1398	CineGrey 4DAT	1820	295	180	16,48	20,00
AR135H-ATD4	135	16:9	3010	2990	10	28	1702	1682	1522	CineGrey 4DAT	1925	380	170	16,02	20,36
AR150H-ATD4	150	16:9	3342	3322	10	28	1889	1869	1709	CineGrey 4DAT	2110	380	174	18,10	22,78
AR100H-A8K	100	16:9	2235	2215	10	28	1266	1246	1086	CineWhite A8K	1505	315	175	12,96	16,14
AR110H-A8K	110	16:9	2456	2436	10	28	1391	1371	1211	CineWhite A8K	1620	315	175	14,28	17,50
AR120H-A8K	120	16:9	2678	2658	10	28	1515	1495	1335	CineWhite A8K	1740	315	175	15,52	18,95
AR135H-A8K	135	16:9	3010	2990	10	28	1702	1682	1522	CineWhite A8K	1925	320	180	17,58	21,40
AR150H-A8K	150	16:9	3342	3322	10	28	1889	1869	1709	CineWhite A8K	2125	320	170	18,50	22,60

Unit: inch

Model	Screen Diagonal	Aspect Ratio	Overall frame width (A)	View width (A1)	Frame width (A2)	Frame depth (A3)	Overall frame height (B)	View height (B1)	Support bar length	Screen material (xxx)	Packing Dimensions			净重 KGS.		毛重 KGS.	
											L	W	H	Net Weight	Gross Weight		
AR100H-CLR3	100	16:9	88,0	87,2	0,4	1,1	49,9	49,1	42,8	CLR3/CLR4	59,37	12,40	6,69	13,45	16,50		
AR110H-CLR3	110	16:9	96,7	95,9	0,4	1,1	54,8	54,0	47,7	CLR3/CLR4	63,58	12,52	6,69	14,75	17,80		
AR120H-CLR3	120	16:9	105,4	104,6	0,4	1,1	59,7	58,9	52,6	CLR3/CLR4	68,50	12,40	6,89	19,35	16,05		
AR100H-ATD4	100	16:9	88,0	87,2	0,4	1,1	49,9	49,1	42,8	CineGrey 4DAT	63,39	11,81	6,69	13,84	16,92		
AR110H-ATD4	110	16:9	96,7	95,9	0,4	1,1	54,8	54,0	47,7	CineGrey 4DAT	63,39	11,81	6,69	13,84	16,92		
AR120H-ATD4	120	16:9	105,4	104,6	0,4	1,1	59,7	58,9	52,6	CineGrey 4DAT	63,39	11,81	6,69	13,84	16,92		
AR125H-ATD4	125	16:9	109,8	109,0	0,4	1,1	62,1	61,3	55,0	CineGrey 4DAT	71,65	11,61	7,09	16,48	20,00		
AR135H-ATD4	135	16:9	118,5	117,7	0,4	1,1	67,0	66,2	59,9	CineGrey 4DAT	75,79	14,96	6,85	16,02	20,36		
AR150H-ATD4	150	16:9	131,6	130,8	0,4	1,1	74,4	73,6	67,3	CineGrey 4DAT	83,07	14,96	6,85	18,10	22,78		
AR100H-A8K	100	16:9	88,0	87,2	0,4	1,1	49,9	49,1	42,8	CineWhite A8K	59,25	12,40	6,89	12,96	16,14		
AR110H-A8K	110	16:9	96,7	95,9	0,4	1,1	54,8	54,0	47,7	CineWhite A8K	63,78	12,40	6,89	14,28	17,50		
AR120H-A8K	120	16:9	105,4	104,6	0,4	1,1	59,7	58,9	52,6	CineWhite A8K	68,50	12,40	6,89	15,52	18,95		
AR135H-A8K	135	16:9	118,5	117,7	0,4	1,1	67,0	66,2	59,9	CineWhite A8K	75,79	12,60	7,09	17,58	21,40		
AR150H-A8K	150	16:9	131,6	130,8	0,4	1,1	74,4	73,6	67,3	CineWhite A8K	83,66	12,60	6,69	18,50	22,60		

Note : Data Error be ±1"



**Elite Screens - Line drawing and dimension table**  
**Aeon Edge free CLR Series - StarBright CLR® screen material**

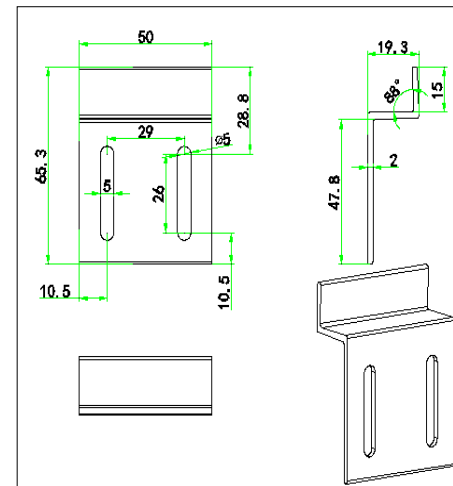
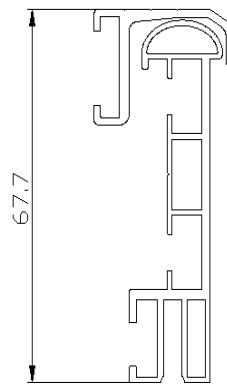
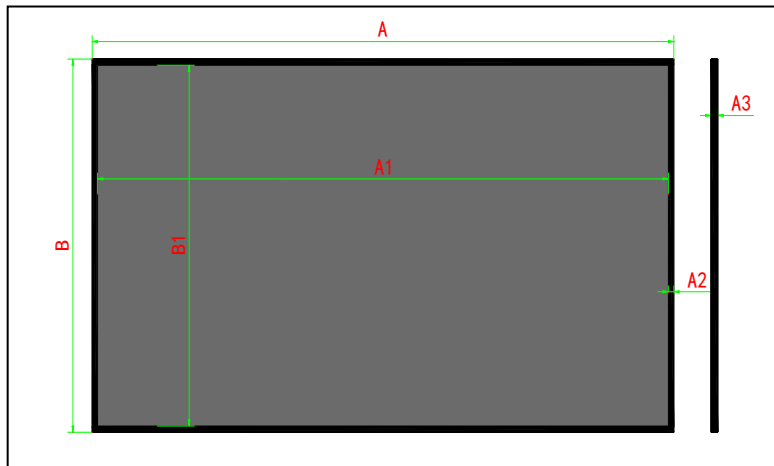
**Unit: mm**

Customer model	Screen Diagonal	Aspect Ratio	Screen Width (A)	View Width (A1)	Bezel trim width (A2)	Screen thickness (A3)	Screen Height (B)	View Height (B1)	Support bar length
AR90H-CLR	90	16:9	2013	1993	10	28	1142	1122	1014
AR100H-CLR	100	16:9	2235	2215	10	28	1266	1246	1138
AR110H-CLR	110	16:9	2456	2436	10	28	1391	1371	1262
AR120H-CLR	120	16:9	2678	2658	10	28	1515	1495	1387

**Unit: inch**

Customer model	Screen Diagonal	Aspect Ratio	Screen Width (A)	View Width (A1)	Bezel trim width (A2)	Screen thickness (A3)	Screen Height (B)	View Height (B1)	Support bar length
AR90H-CLR	90	16:9	79,3	78,5	0,4	1,1	45,0	44,2	39,9
AR100H-CLR	100	16:9	88,0	87,2	0,4	1,1	49,9	49,1	44,8
AR110H-CLR	110	16:9	96,7	95,9	0,4	1,1	54,8	54,0	49,7
AR120H-CLR	120	16:9	105,4	104,6	0,4	1,1	59,7	58,9	54,6

Note : Data Error be ±1"



## Elite Screens - Line drawing and dimension table

### Aeon Series EDGE FREE™ Fixed Frame Screen

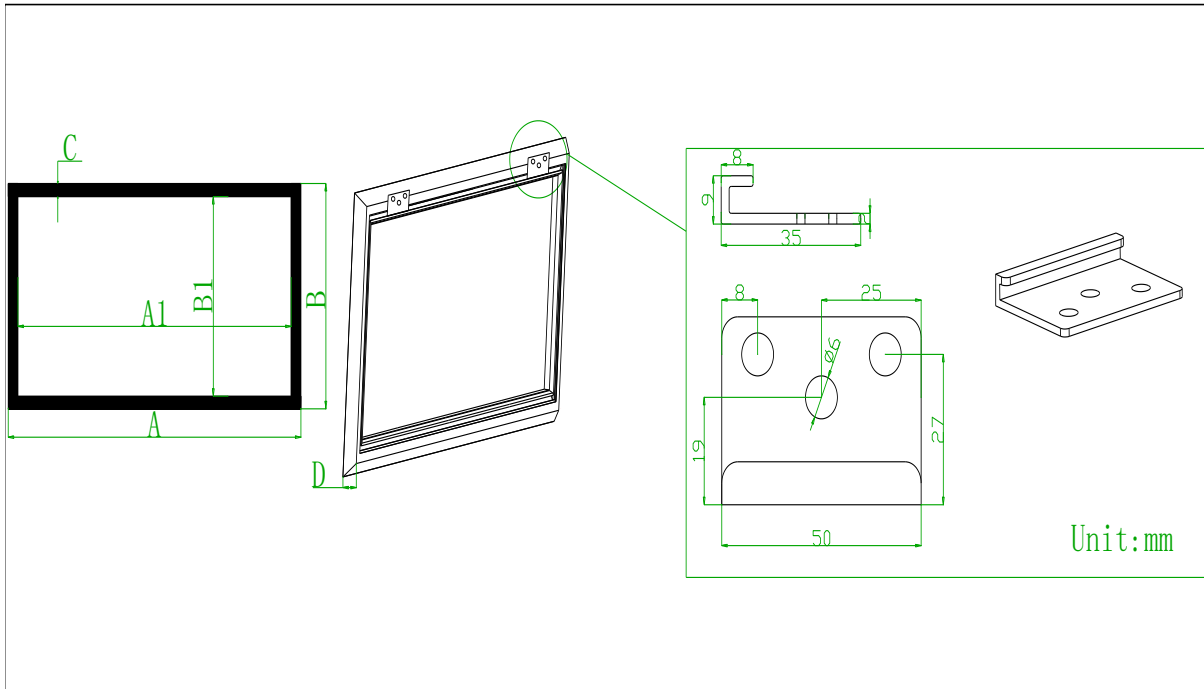
V02242023AW

AR1(Velcro type): Cinewhite. AUHD, CineGrey 3D, CineGrey 5D

Unit: mm								
Model	Screen Diag. & Aspec Ratio	Frame L (A)	View W (A1)	Frame H ( B )	View H (B1)	Frame W (C)	Thickness of Frame (D)	Support Bar Length
AR84WH2	84"(16:9)	1884	1860	1070	1046	12	25	982
AR92WH2	92"(16:9)	2062	2038	1170	1146	12	25	1082
AR100WH2	100"(16:9)	2238	2214	1269	1245	12	25	1181
AR110WH2	110"(16:9)	2460	2436	1394	1370	12	25	1306
AR120WH2	120"(16:9)	2664	2640	1502	1478	12	25	1414
AR135WH2	135"(16:9)	3014	2990	1704	1680	12	25	1616
AR150WH2	150"(16:9)	3346	3322	1891	1867	12	25	1803
AR165WH2	165"(16:9)	3677	3653	2079	2055	12	25	1991
AR180WH2	180"(16:9)	4010	3986	2266	2242	12	25	2178
AR200WH2	200"(16:9)	4452	4428	2514	2490	12	25	2426
AR100WX2	100"(16:10)	2178	2154	1370	1346	12	25	1282
AR120WX2	120"(16:10)	2609	2585	1639	1615	12	25	1551
AR135WX2	135"(16:10)	2932	2908	1841	1817	12	25	1753
AR150WX2	150"(16:10)	3255	3231	2043	2019	12	25	1955
AR165WX2	165"(16:10)	3578	3554	2245	2221	12	25	2157
AR180WX2	180"(16:10)	3901	3877	2447	2423	12	25	2359
AR200WX2	200"(16:10)	4332	4308	2716	2692	12	25	2628
AR103WH2-WIDE	103"(2.35:1)	2431	2407	1048	1024	12	25	960
AR125WH2-WIDE	125"(2.35:1)	2945	2921	1269	1245	12	25	1181
AR138WH2-WIDE	138"(2.35:1)	3249	3225	1394	1370	12	25	1306
AR158WH2-WIDE	158"(2.35:1)	3717	3693	1595	1571	12	25	1507
AR84DHD3	84"(16:9)	1884	1860	1070	1046	12	25	982
AR92DHD3	92"(16:9)	2062	2038	1170	1146	12	25	1082
AR100DHD3	100"(16:9)	2238	2214	1269	1245	12	25	1181
AR110DHD3	110"(16:9)	2460	2436	1394	1370	12	25	1306
AR120DHD3	120"(16:9)	2664	2640	1502	1478	12	25	1414
AR135DHD3	135"(16:9)	3014	2990	1704	1680	12	25	1616
AR150DHD3	150"(16:9)	3346	3322	1891	1867	12	25	1803
AR165DHD3	165"(16:9)	3677	3653	2079	2055	12	25	1991
AR180DHD3	180"(16:9)	4010	3986	2266	2242	12	25	2178
AR200DHD3	200"(16:9)	4452	4428	2514	2490	12	25	2426
AR84DHD5	84"(16:9)	1884	1860	1070	1046	12	25	982
AR92DHD5	92"(16:9)	2062	2038	1170	1146	12	25	1082
AR100DHD5	100"(16:9)	2238	2214	1269	1245	12	25	1181
AR110DHD5	110"(16:9)	2460	2436	1394	1370	12	25	1306
AR120DHD5	120"(16:9)	2664	2640	1502	1478	12	25	1414
AR135DHD5	135"(16:9)	3014	2990	1704	1680	12	25	1616
AR150DHD5	150"(16:9)	3346	3322	1891	1867	12	25	1803
AR165DHD5	165"(16:9)	3677	3653	2079	2055	12	25	1991
AR180DHD5	180"(16:9)	4010	3986	2266	2242	12	25	2178
AR200DHD5	200"(16:9)	4452	4428	2514	2490	12	25	2426
Unit: inch								
Model	Screen Diag. & Aspec Ratio	Frame L (A)	View W (A1)	Frame H ( B )	View H (B1)	Frame W (C)	Thickness of Frame (D)	Support Bar Length
AR84WH2	84"(16:9)	74,2	73,2	42,1	41,2	0,5	1,0	38,7
AR92WH2	92"(16:9)	81,2	80,2	46,1	45,1	0,5	1,0	42,6
AR100WH2	100"(16:9)	88,1	87,2	50,0	49,0	0,5	1,0	46,5
AR110WH2	110"(16:9)	96,9	95,9	54,9	53,9	0,5	1,0	51,4
AR120WH2	120"(16:9)	104,9	103,9	59,1	58,2	0,5	1,0	55,7
AR135WH2	135"(16:9)	118,7	117,7	67,1	66,1	0,5	1,0	63,6
AR150WH2	150"(16:9)	131,7	130,8	74,4	73,5	0,5	1,0	71,0
AR165WH2	165"(16:9)	144,8	143,8	81,9	80,9	0,5	1,0	78,4
AR180WH2	180"(16:9)	157,9	156,9	89,2	88,3	0,5	1,0	85,7
AR200WH2	200"(16:9)	175,3	174,3	99,0	98,0	0,5	1,0	95,5

AR100WX2	100"(16:10)	85,7	84,8	53,9	53,0	0,5	1,0	50,5
AR120WX2	120"(16:10)	102,7	101,8	64,5	63,6	0,5	1,0	61,1
AR135WX2	135"(16:10)	115,4	114,5	72,5	71,5	0,5	1,0	69,0
AR150WX2	150"(16:10)	128,1	127,2	80,4	79,5	0,5	1,0	77,0
AR165WX2	165"(16:10)	140,9	139,9	88,4	87,4	0,5	1,0	84,9
AR180WX2	180"(16:10)	153,6	152,6	96,3	95,4	0,5	1,0	92,9
AR200WX2	200"(16:10)	170,6	169,6	106,9	106,0	0,5	1,0	103,5
AR103WH2-WIDE	103"(2.35:1)	95,7	94,8	41,3	40,3	0,5	1,0	37,8
AR125WH2-WIDE	125"(2.35:1)	115,9	115,0	50,0	49,0	0,5	1,0	46,5
AR138WH2-WIDE	138"(2.35:1)	127,9	127,0	54,9	53,9	0,5	1,0	51,4
AR158WH2-WIDE	158"(2.35:1)	146,3	145,4	62,8	61,9	0,5	1,0	59,3
AR84DHD3	84"(16:9)	74,2	73,2	42,1	41,2	0,5	1,0	38,7
AR92DHD3	92"(16:9)	81,2	80,2	46,1	45,1	0,5	1,0	42,6
AR100DHD3	100"(16:9)	88,1	87,2	50,0	49,0	0,5	1,0	46,5
AR110DHD3	110"(16:9)	96,9	95,9	54,9	53,9	0,5	1,0	51,4
AR120DHD3	120"(16:9)	104,9	103,9	59,1	58,2	0,5	1,0	55,7
AR135DHD3	135"(16:9)	118,7	117,7	67,1	66,1	0,5	1,0	63,6
AR150DHD3	150"(16:9)	131,7	130,8	74,4	73,5	0,5	1,0	71,0
AR165DHD3	165"(16:9)	144,8	143,8	81,9	80,9	0,5	1,0	78,4
AR180DHD3	180"(16:9)	157,9	156,9	89,2	88,3	0,5	1,0	85,7
AR200DHD3	200"(16:9)	175,3	174,3	99,0	98,0	0,5	1,0	95,5

Note: Data Error be  $\pm 1$ "



**Elite Screens - Aeon AcousticPro UHD Series EDGE FREE™ Fixed Frame Screen Dimension Table - AR 1 Frame**

Unit: mm

Model	Screen Diag. & Aspect Ratio	Frame L (A)	View W (A1)	(A2)	Frame H (B)	View H (B1)	(B2)	Frame W (C)	Thickness of Frame (D)	Support bars Qty	Support Bar Length	N.W (KGS)	G.W (KGS)	Packing dimension		
														L (mm)	W (mm)	H (mm)
AR100H2-AUHD	100"(16:9)	2238	2214	2102	1269	1245	1133	12	25,4	1,0	1181	9,72	14,61	1505	295	165
AR110H2-AUHD	110"(16:9)	2460	2436	2324	1394	1370	1258	12	25,4	1,0	1306	9,78	14,52	1635	340	170
AR120H2-AUHD	120"(16:9)	2664	2640	2528	1502	1478	1366	12	25,4	1,0	1414	12,30	15,85	1750	340	170
AR135H2-AUHD	135"(16:9)	3013	2989	2877	1705	1681	1569	12	25,4	2,0	1617	14,16	18,92	1925	380	170
AR150H2-AUHD	150"(16:9)	3345	3321	3209	1892	1868	1756	12	25,4	2,0	1804	15,80	20,94	2115	385	170
AR165H2-AUHD	165"(16:9)	3677	3653	3541	2079	2055	1943	12	25,4	2,0	1991	18,30	24,00	2350	380	170
AR180H2-AUHD	180"(16:9)	4009	3985	3873	2266	2242	2130	12	25,4	2,0	2178	21,40	28,40	2485	395	170
AR200H2-AUHD	200"(16:9)	4452	4428	4316	2515	2491	2379	12	25,4	2,0	2427	24,64	31,26	2740	400	170
AR103W2-AUHD	103"(2.35:1)	2431	2407	2295	1048	1024	912	12	25,4	1,0	960	8,18	12,74	1441	300	170
AR125W2-AUHD	125"(2.35:1)	2945	2921	2809	1267	1243	1131	12	25,4	2,0	1179	11,96	16,00	1698	380	170
AR138W2-AUHD	138"(2.35:1)	3249	3225	3113	1396	1372	1260	12	25,4	2,0	1308	12,76	17,42	1850	380	170
AR158W2-AUHD	158"(2.35:1)	3717	3693	3581	1595	1571	1459	12	25,4	2,0	1507	15,50	20,62	2085	400	170
AR176W2-AUHD	176"(2.35:1)	4137	4113	4001	1774	1750	1638	12	25,4	2,0	1686					

Unit: inch

Model	Screen Diag. & Aspect Ratio	Frame L (A)	View W (A1)	(A2)	Frame H (B)	View H (B1)	(B2)	Frame W (C)	Thickness of Frame (D)	Support bars Qty	Support Bar Length	N.W (LBS)	G.W (LBS)	Packing dimension		
														L (inch)	W (inch)	H (inch)
AR100H2-AUHD	100"(16:9)	88,1	87,2	82,8	50,0	49,0	44,6	0,5	1,0	1	46,5	21,43	32,21	59,25	11,61	6,50
AR110H2-AUHD	110"(16:9)	96,9	95,9	91,5	54,9	53,9	49,5	0,5	1,0	1	51,4	21,56	32,01	64,37	13,39	6,69
AR120H2-AUHD	120"(16:9)	104,9	103,9	99,5	59,1	58,2	53,8	0,5	1,0	1	55,7	27,12	34,94	68,90	13,39	6,69
AR135H2-AUHD	135"(16:9)	118,6	117,7	113,3	67,1	66,2	61,8	0,5	1,0	2	63,7	31,22	41,71	75,79	14,96	6,69
AR150H2-AUHD	150"(16:9)	131,7	130,7	126,3	74,5	73,5	69,1	0,5	1,0	2	71,0	34,83	46,16	83,27	15,16	6,69
AR165H2-AUHD	165"(16:9)	144,8	143,8	139,4	81,8	80,9	76,5	0,5	1,0	2	78,4	40,34	52,91	92,52	14,96	6,69
AR180H2-AUHD	180"(16:9)	157,8	156,9	152,5	89,2	88,3	83,8	0,5	1,0	2	85,7	47,18	62,61	97,83	15,55	6,69
AR200H2-AUHD	200"(16:9)	175,3	174,3	169,9	99,0	98,1	93,7	0,5	1,0	2	95,5	54,32	68,92	107,87	15,75	6,69
AR103W2-AUHD	103"(2.35:1)	95,7	94,8	90,4	41,3	40,3	35,9	0,5	1,0	1	37,8	18,03	28,09	56,73	11,81	6,69
AR125W2-AUHD	125"(2.35:1)	116,0	115,0	110,6	49,9	48,9	44,5	0,5	1,0	2	46,4	26,37	35,27	66,85	14,96	6,69
AR138W2-AUHD	138"(2.35:1)	127,9	127,0	122,6	55,0	54,0	49,6	0,5	1,0	2	51,5	28,13	38,40	72,83	14,96	6,69
AR158W2-AUHD	158"(2.35:1)	146,3	145,4	141,0	62,8	61,9	57,4	0,5	1,0	2	59,3	34,17	45,46	82,09	15,75	6,69
AR176W2-AUHD	176"(2.35:1)	162,9	161,9	157,5	69,8	68,9	64,5	0,5	1,0	2	66,4	0,00	0,00	0,00	0,00	0,00

Note: Data Error be ±1"

